

Refugee Health: The “VOLAG” Role

Rachele King

Director of Refugee Services

Minnesota Council of Churches

Who are “VOLAGS”?

Voluntary Agencies!

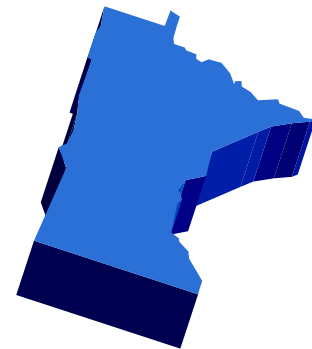
Part of National Organizations who have a cooperative agreement with the US Department of State to provide Reception and Placement Services to Refugees.

Metro VOLAGS:

World Relief, Minnesota Council of Churches, Catholic Charities, Lutheran Social Services, International Institute, Jewish Family Services

Outstate VOLAGS:

LSS – St. Cloud and Pelican Rapids,
Catholic Charities - Rochester



What is “R&P”?

Reception and Placement!

Every VOLAG works under the same
Cooperative Agreement with US
Department of state.

Specific and detailed “Core Services” are
defined in this document.

Reception and Placement Core Services

30 day period which can be extended up to 90 days after arrival should more than 30 days be required to complete R&P program requirements.

Focus on “Linkages”



Secondary Migrants and Core Services under R&P

The Recipient shall be relieved of its responsibilities under this agreement to the extent they cannot be carried out because (1) the refugee does not remain in the general geographic area where initially placed or (2) the refugee refuses to receive services from or to cooperate with the Recipient, its affiliates, or its local co-sponsors.

“Free” –vs- “Anchor”



Family Reunions



Health – Core services

“To provide assistance in accessing health screening and appropriate health programs.”





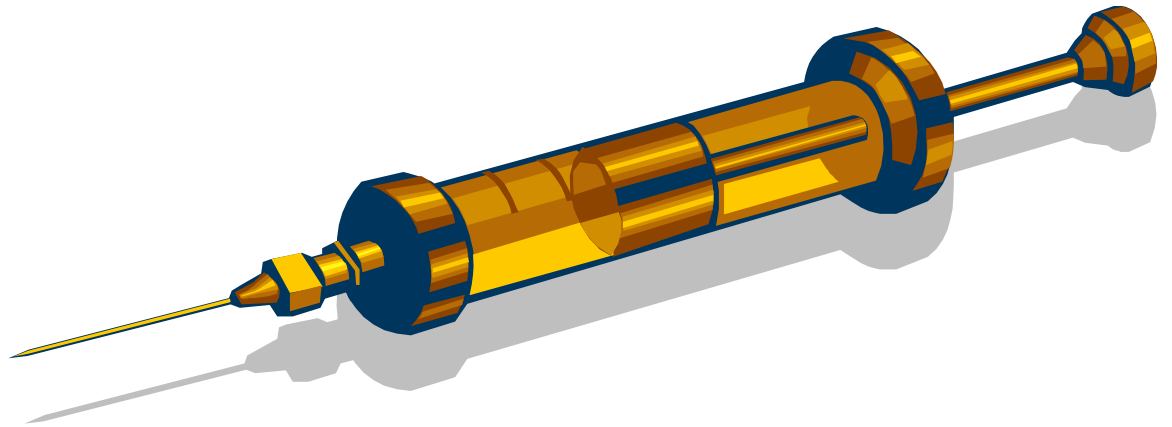
Health – Core services



- Provide each refugee unit with a general orientation to the health care system in the resettlement area, including health assessment services through state or local public or private health programs.
- Assist refugees to obtain health screening within thirty days of arrival
- Assist refugees in accessing appropriate providers of continued therapy or preventative treatment for health conditions affecting the public health.

Health – Core services

Encourage and assist refugees as soon as possible after arrival to obtain immunizations as required for adjustment to permanent resident alien status one year after arrival.



Health – Core services

Class A conditions:

Advise, encourage and assist, insofar as possible refugees with Class A physical/mental disorders affecting public health, to report within 7/30 days (respectively) of arrival to public health.

Practical Considerations impacting to refugee Health and Reception and Placement Core Services

- Information
- Increased free case resettlement
- Longer learning curves to independence for current populations.
- Complex medical issues in new arrivals require long-term support in many cases and are complicated by other resettlement issues.
- Linkages

